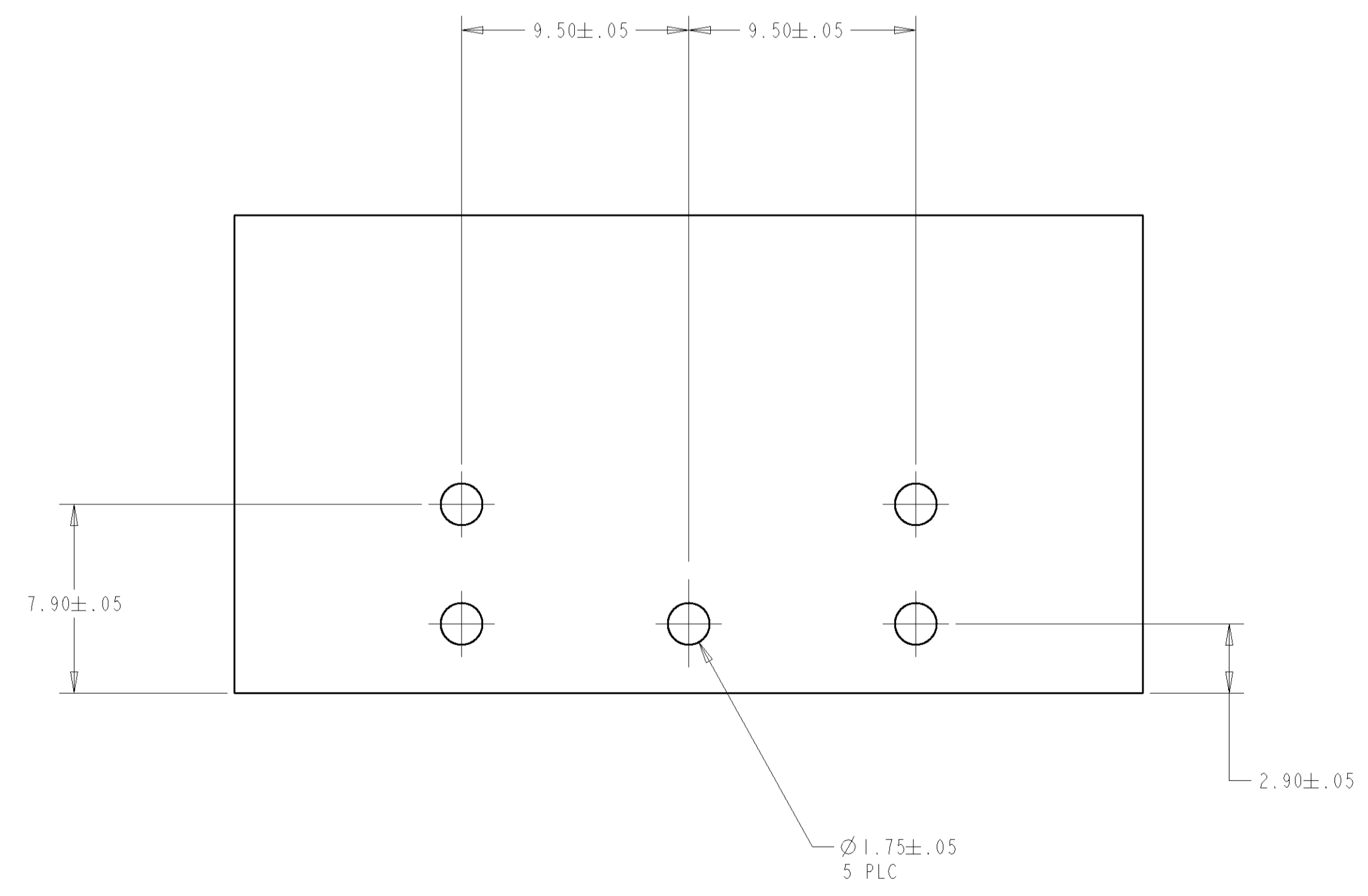
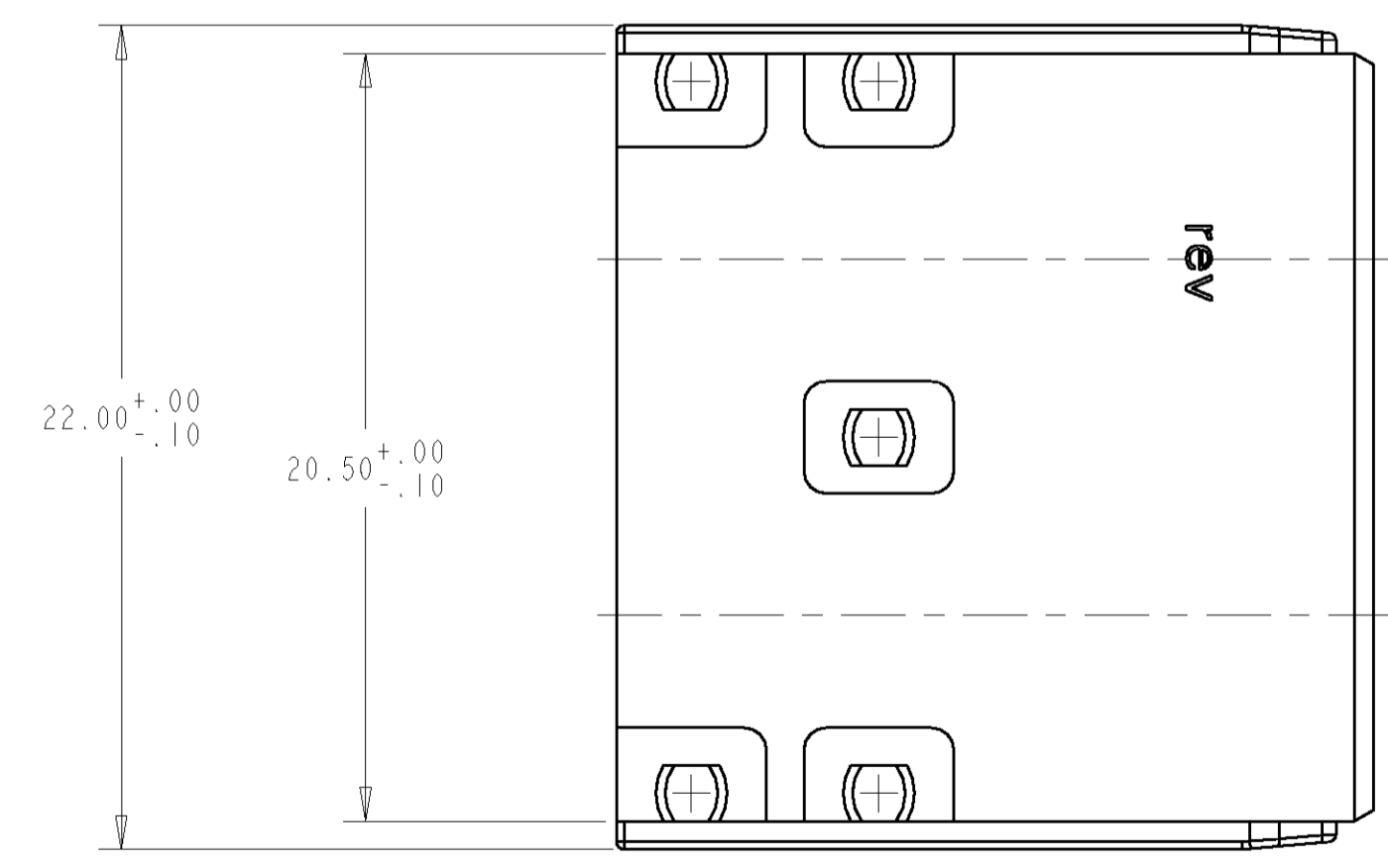
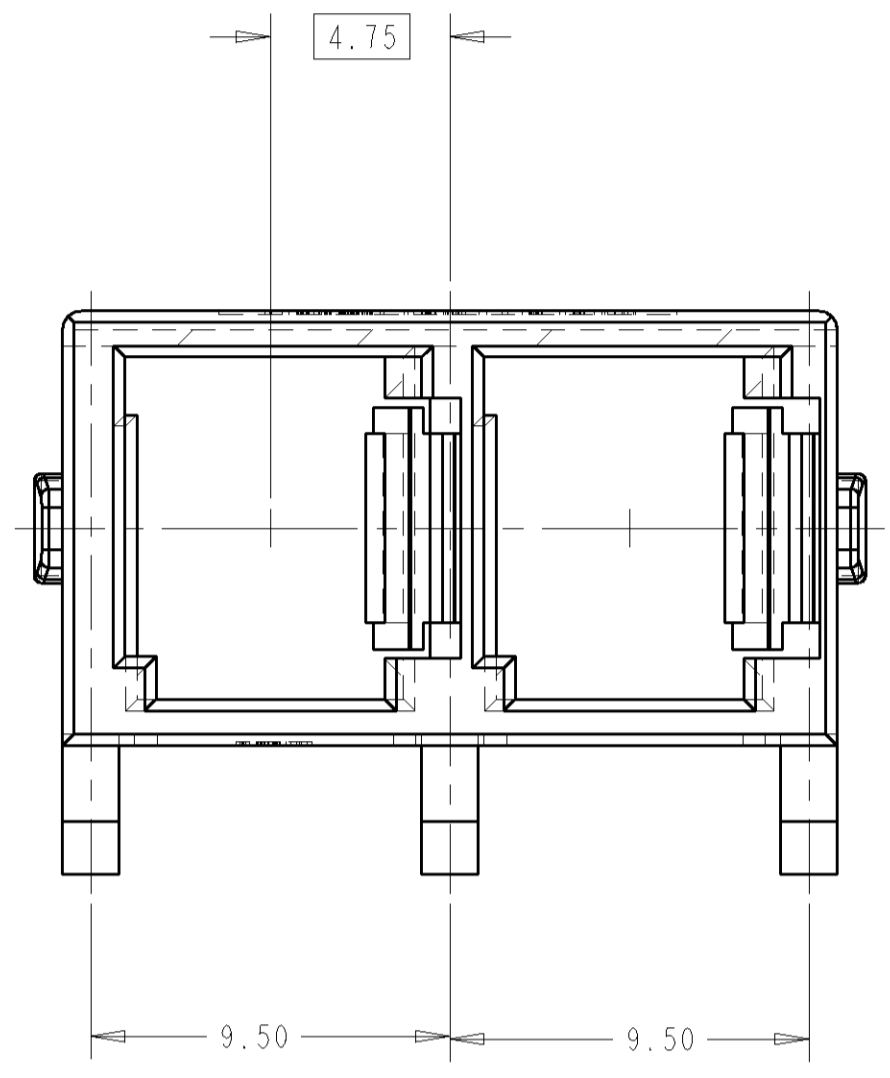
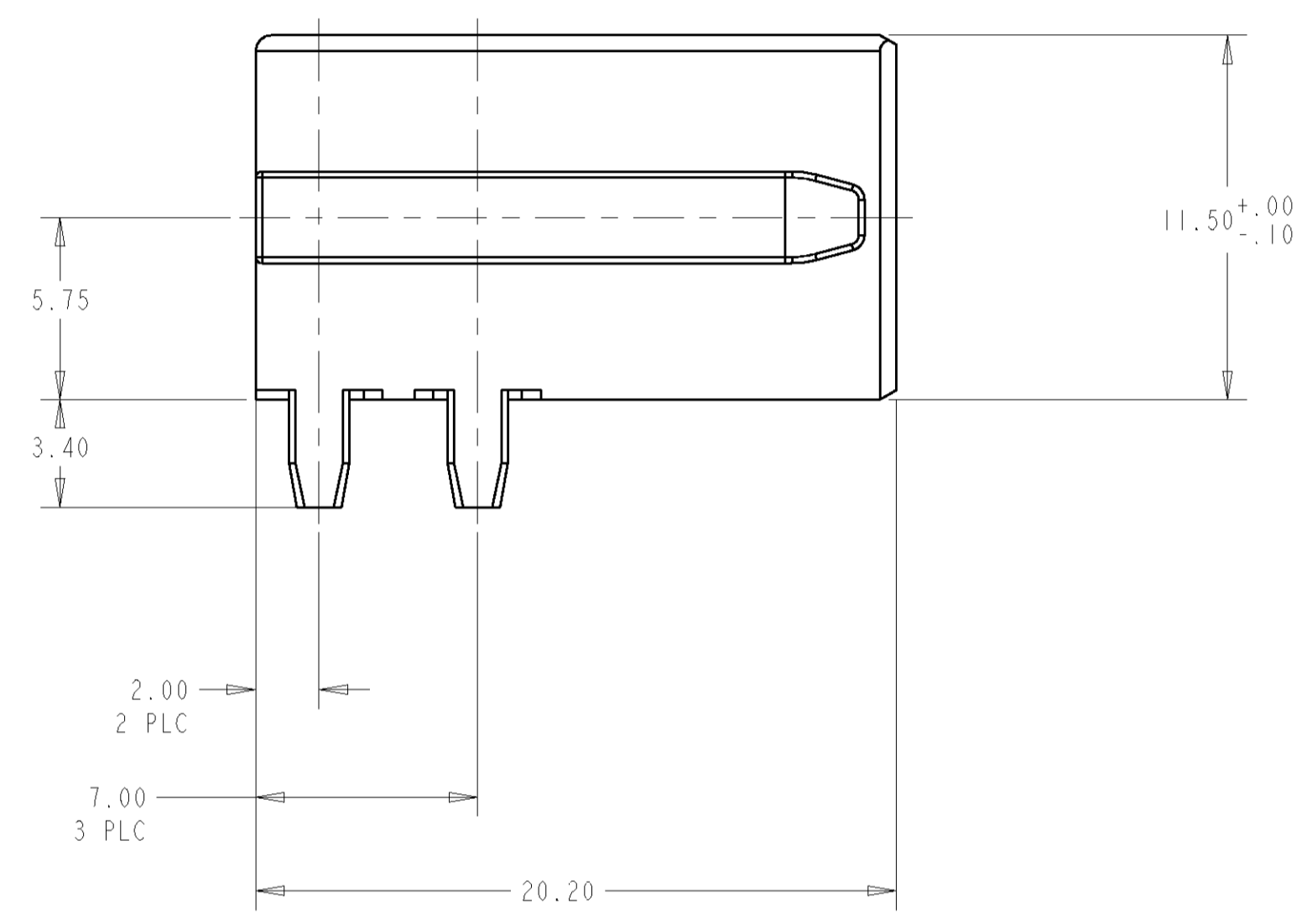
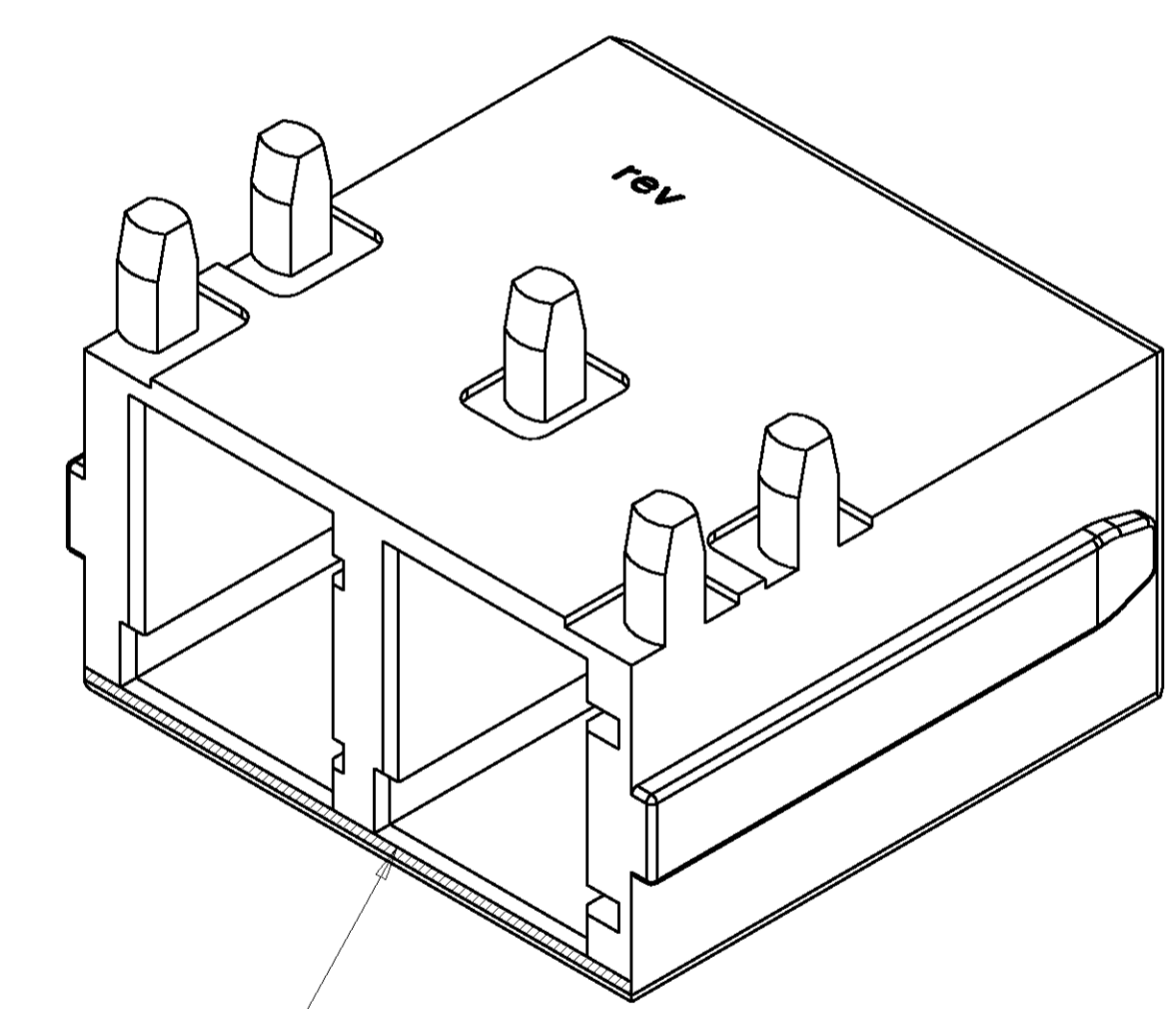
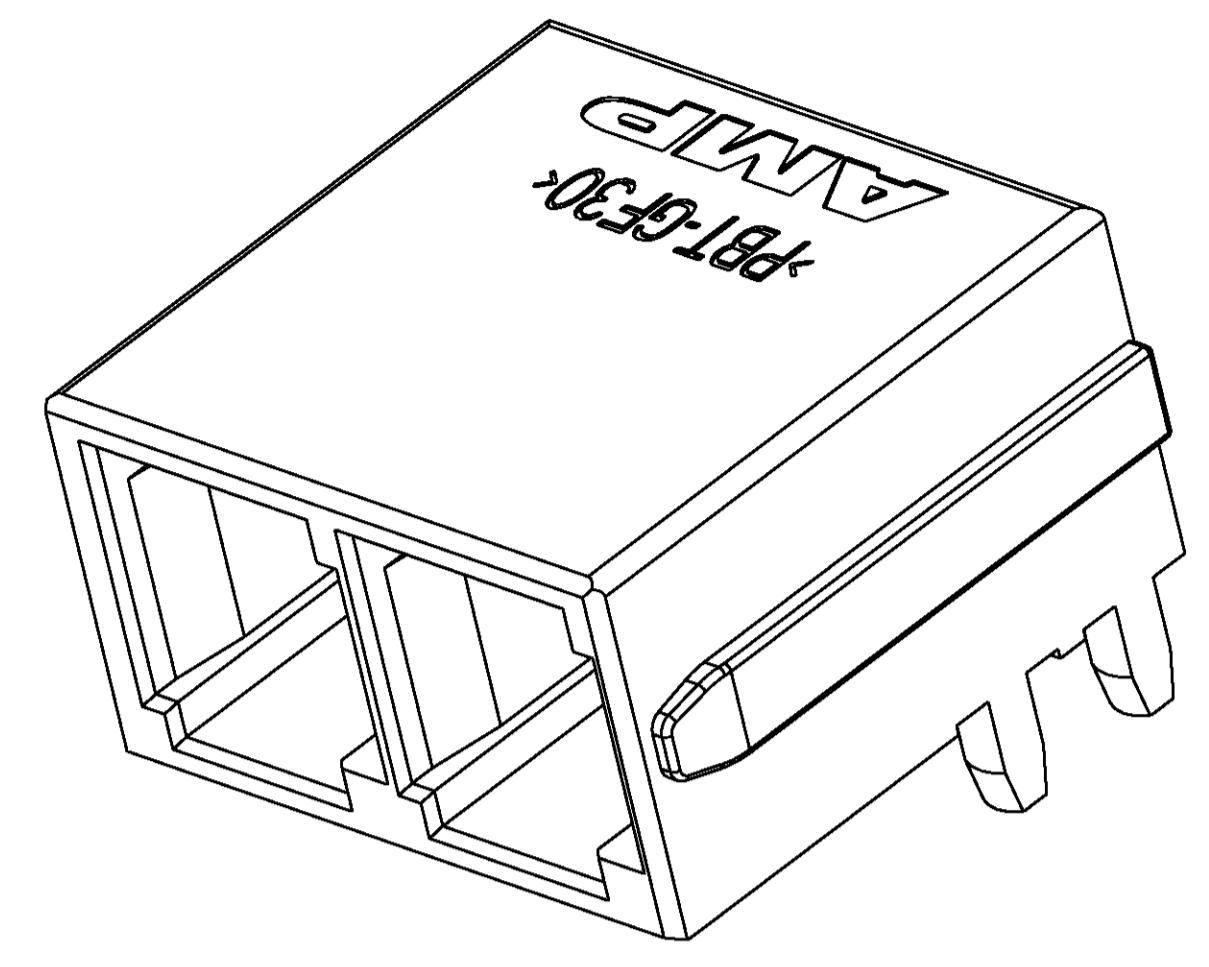


LOC		DIST		REVISIONS				
CE		16		P. LTR	DESCRIPTION	DATE	DWN	APVD
A	EC	0UB0-0070-01	/	NPR	00-199	02FEB2001	EB	LB
B		REVISED PER EC 0A00-0439-01				11DEC01	EB	AP



RECOMMENDED HOLE PATTERN
 SCALE 5:1

WHITE STRIPE FOR
 CONNECTOR ORIENTATION

MATERIAL: GLASS FILLED PBT,
 COLOR: BLACK

1374491-1
 PART NO

<small>THIS DRAWING IS UNPUBLISHED. RELEASED FOR PUBLICATION BY TYCO ELECTRONICS CORPORATION. IT IS THE POLICY OF TYCO ELECTRONICS CORPORATION TO PROTECT THE CONFIDENTIALITY OF THE INFORMATION CONTAINED HEREIN. ANY UNAUTHORIZED DISCLOSURE OF THIS INFORMATION IS STRICTLY PROHIBITED.</small>		DWN: LG EBY 3-30-00 CHK: E. HALEY 3-30-00 APVD: L. BARKUS 3-30-00	NAME: AMP PRODUCT SPEC: APPLICATION SPEC: WEIGHT: CUSTOMER DRAWING	Tyco Electronics Harrisburg, PA 17105-3608 SYSTEM BOARD HOUSING, 1 X 2 VERTICAL, LIGHTRAY MPX SIZE: A1 CAGE CODE: 00779 DRAWING NO: 1374491 SCALE: 5/1 SHEET: 1 OF 1 REV: B
--	--	---	--	--